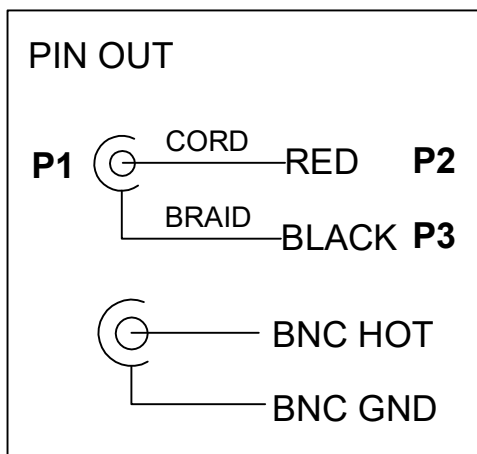


Part Number	Length(L)	Label contents (D)
BNCPW-174U0050E	500 <sup>+25</sup> <sub>0</sub>	BNCPW-174U0050E
BNCPW-174U0100E	1000 <sup>+25</sup> <sub>0</sub>	BNCPW-174U0100E
BNCPW-174U0150E	1500 <sup>+50</sup> <sub>0</sub>	BNCPW-174U0150E
BNCPW-174U0200E	2000 <sup>+50</sup> <sub>0</sub>	BNCPW-174U0200E



J	Copper foil	8MM*50MM -LF-	
I	Inner mold	LDPE -HF-	Transparent
H	Tube	UL/CSA Ø1.5 -HF-	Black
G	Outer mold	PVC 45P -LF-	Black
F	Plug	Alligator clipscrew red PVC hood -LF-	Red
E	Plug	Alligator clipscrew black PVC hood -LF-	Black
D	Plug	BNC Male, Soldering type, 50 ohm -LF-	
C	Cable	UL1015 #20 OD:2.5 -LF-	Red
B	Cable	UL1015 #20 OD:2.5 -LF-	Black
A	Cable	RG174A/U #26*1C(7/0.16)+PE INSULATION+BRAID(16*4/0.12) OD:3.0 -LF-	Black
NO	Material	Part NO./Spec.	Color

Unit : mm    Approved    Checked    Designer    Description    **BNC / M TO CLAMP**

**Part NO: BNCPW-174UXXE**